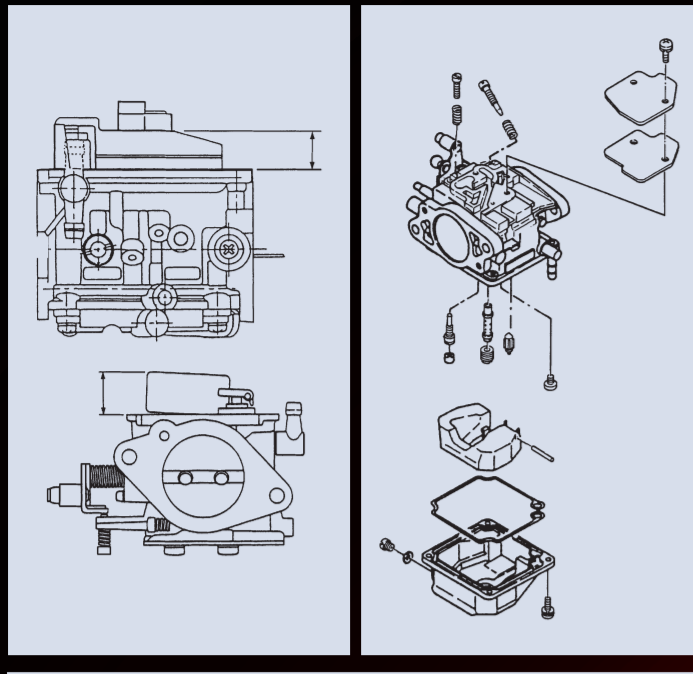


Maintenance & Inspection Period for

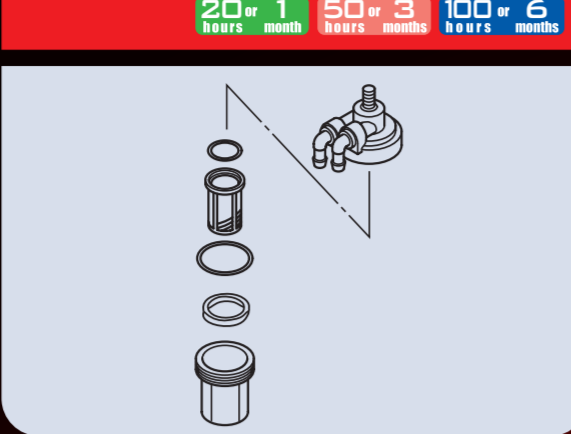
TWO STROKE

1 Carburetor

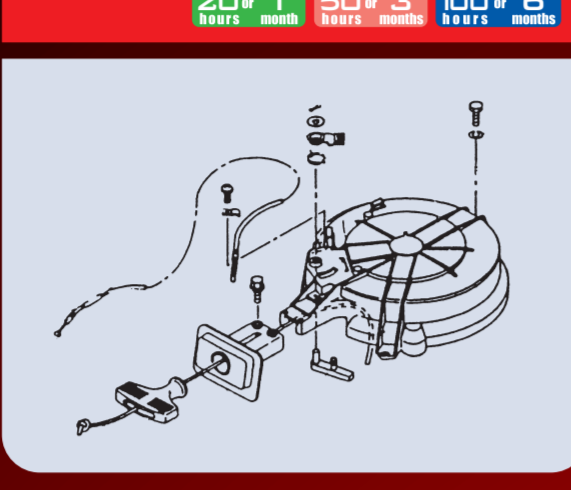


Model	Float Height
2A / 2.5A, 2.5A2 / 3.5A, 3.5A2, 3.5B, 3.5B2	0.827 in (21.0mm)
4C / 5B	0.512 in (13.0mm)
6B / 6B / 9.8B	0.551 in (14.0mm)
9.9D, 9.9D2 / 15D, 15D2 / 18E, 18E2	0.571 in (14.5mm)
25C2, 25C3 / 30C3, 30A3, 30A4	0.768 in (19.5mm)
40C	0.748 in (19.0mm)
40D, 40D2 / 50D, 50D2 / W50D2, 60B, 60C / 70B, 70C	0.571 in (14.5mm)
80A / 90A / 115A2 / 120A2 / 140A2	0.768 in (19.5mm)

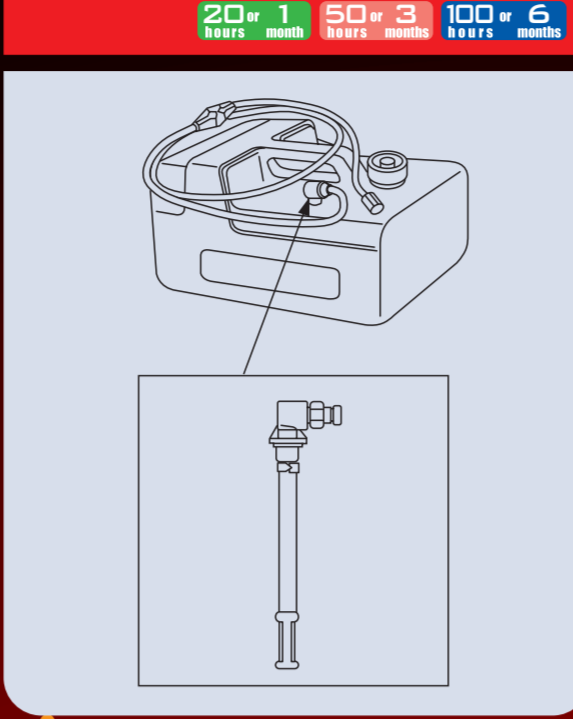
2 Fuel Filter



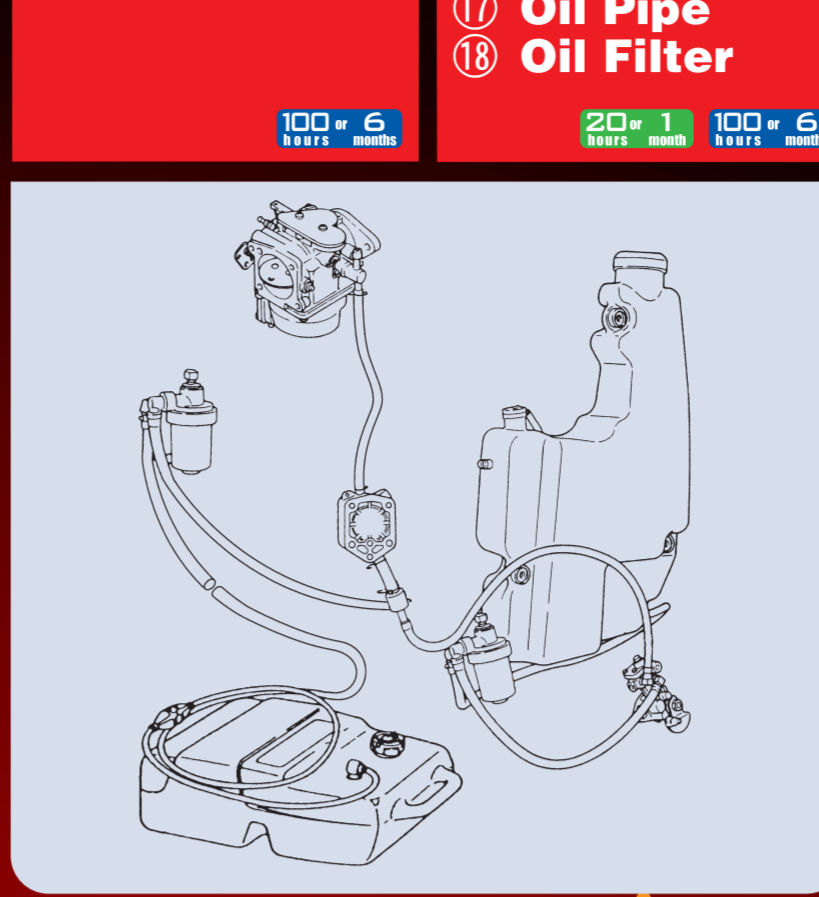
9 Starter Rope



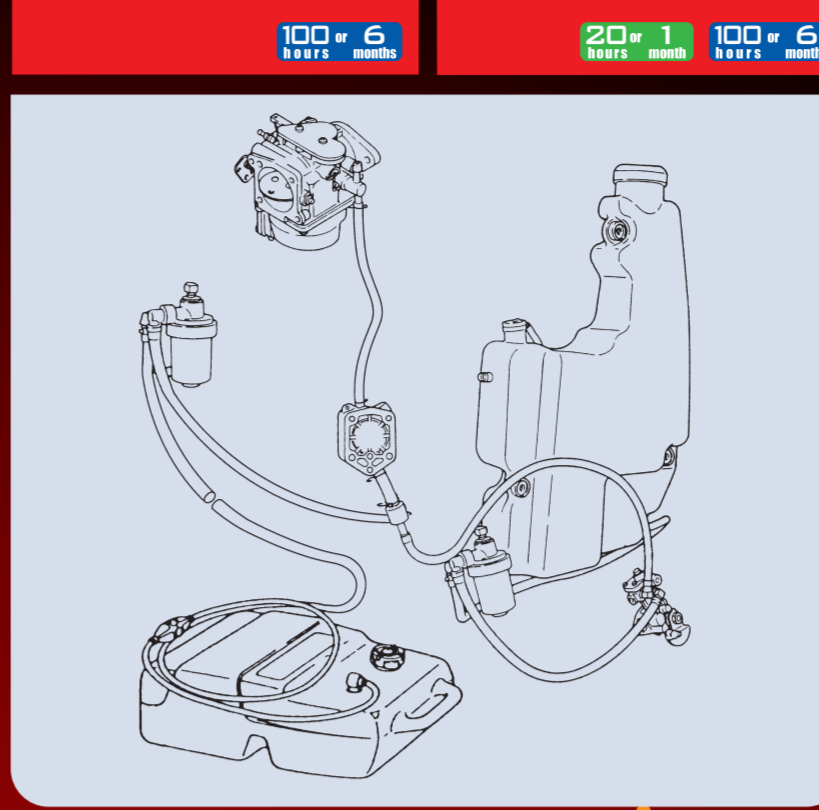
4 Fuel Tank



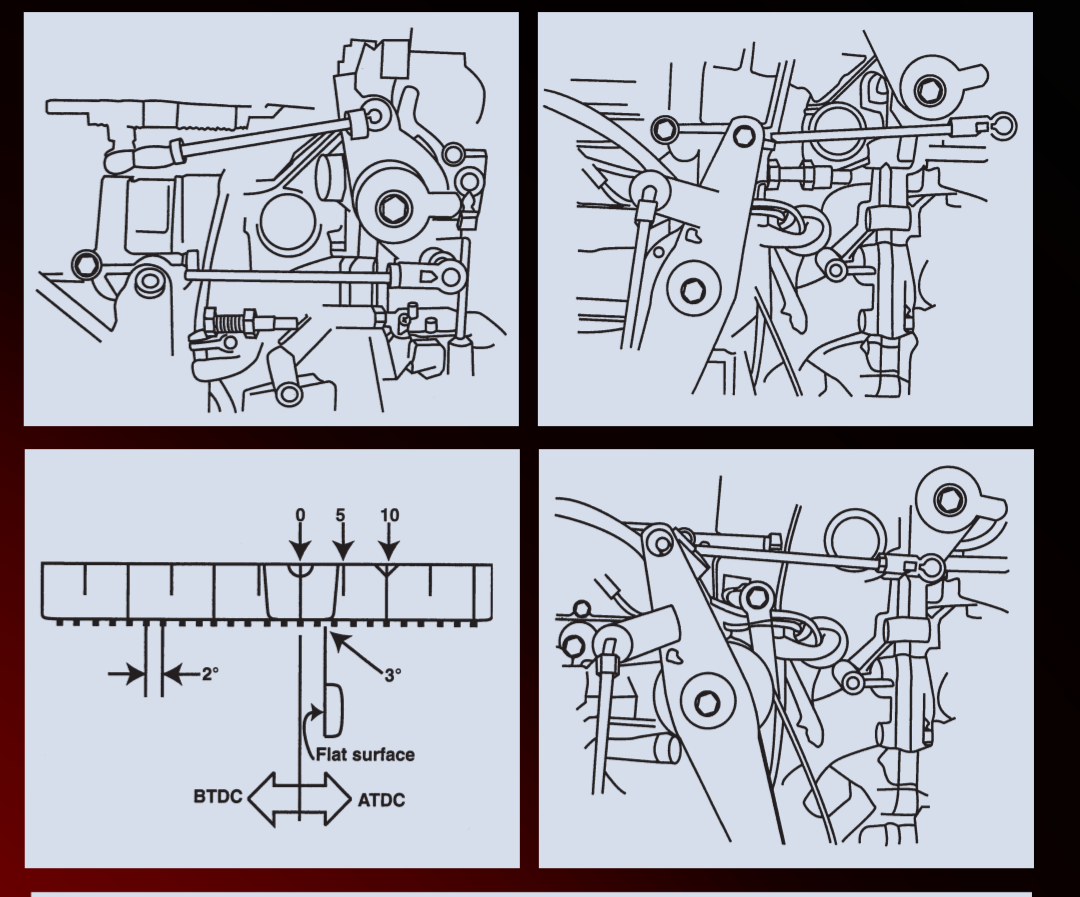
3 Piping



16 Oil Tank 17 Oil Pipe 18 Oil Filter

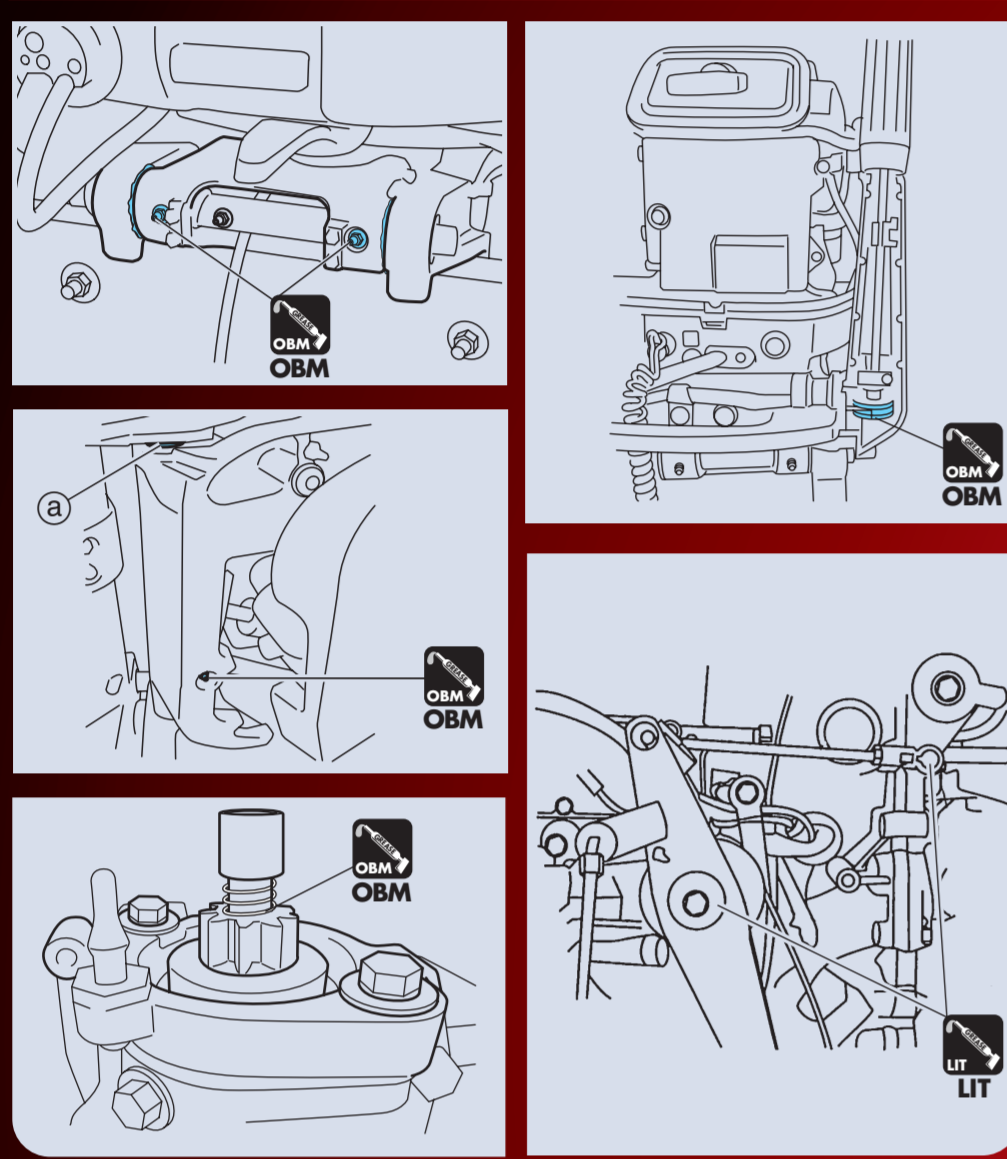


6 Ignition Timing

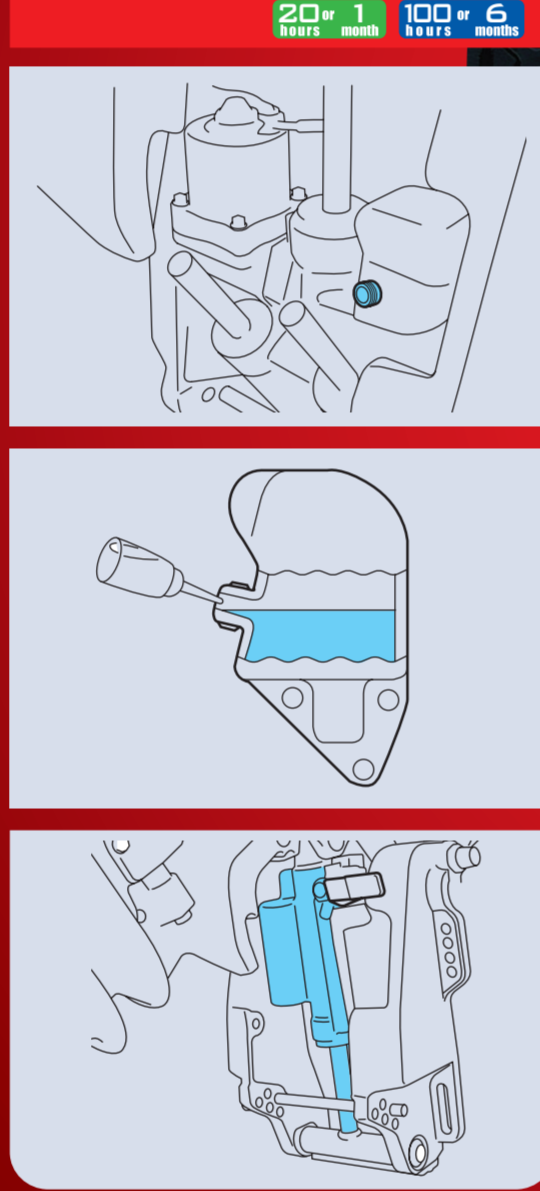


Model	Ignition Timing	Model	Ignition Timing
2A / 2.5A, 2.5A2 / 3.5A, 3.5A2, 3.5B, 3.5B2	BTDC 20°	25C3 / 30A4	ATDC 4° - BTDC 25°
4C / 5B	BTDC 5° - BTDC 30°	40C	ATDC 2° - BTDC 25°
6B	ATDC 1° - BTDC 17°	40D, 40D2	ATDC 3° - BTDC 18°
6B	ATDC 1° - BTDC 22°	50D, 50D2 / W50D2	ATDC 3° - BTDC 24°
9.8B	ATDC 2.5° - BTDC 25°	70MFG	BTDC 3° - BTDC 17.5°
9.9D	ATDC 3° - BTDC 22°	60B	ATDC 3° - BTDC 16°
9.9D2	ATDC 3° - BTDC 20°	70B	ATDC 3° - BTDC 20°
15D2	ATDC 3° - BTDC 25°	60C, 70C	ATDC 3° - BTDC 17.5°
18E, 18E2	ATDC 3° - BTDC 25°	80A, 90A	ATDC 5° - BTDC 20°
25C2	ATDC 2° - BTDC 20°	115A2, 120A2	ATDC 10° - BTDC 17.5°
30A3	ATDC 2° - BTDC 25°	140A2	ATDC 10° - BTDC 20°

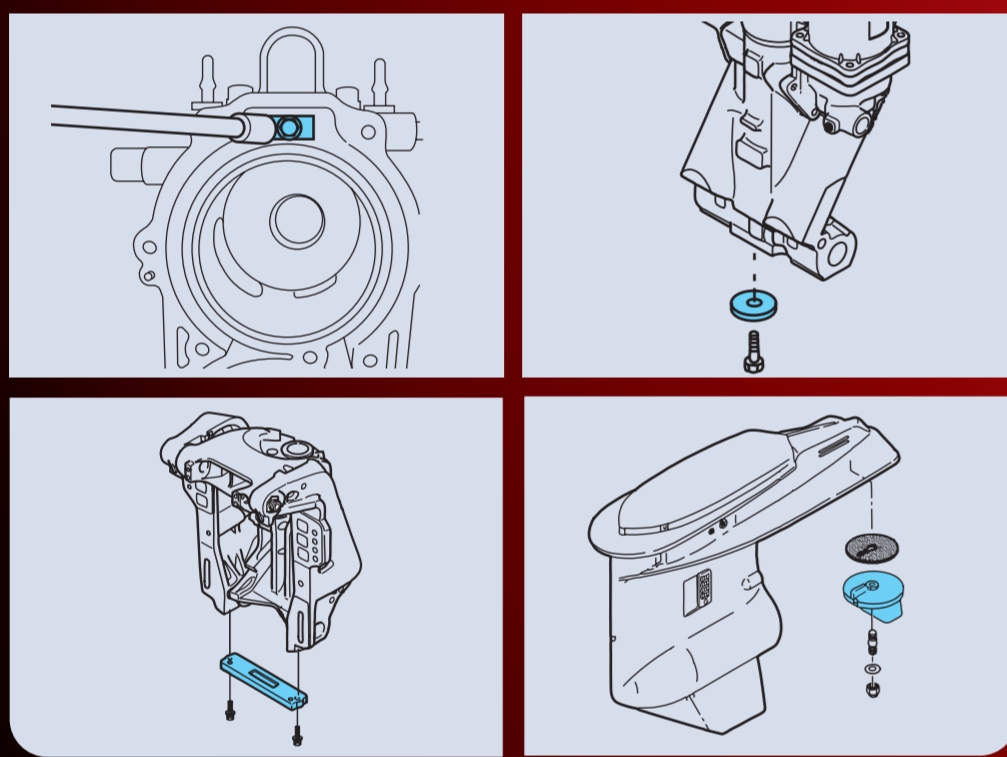
14 Sliding and Rotating Parts, Grease Nipples



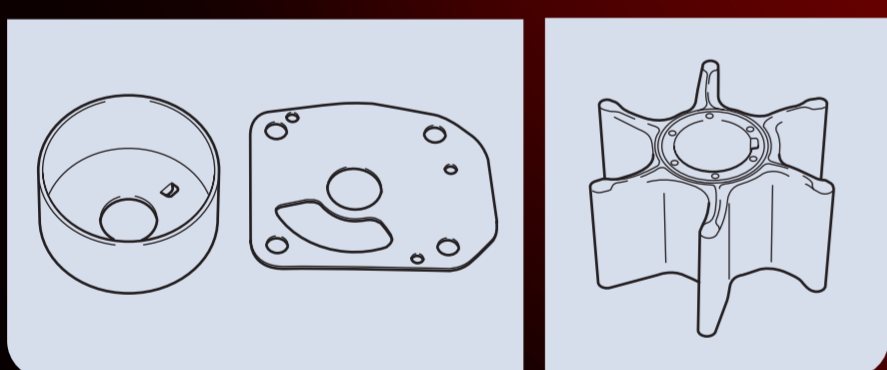
15 Power Trim & Tilt Gas Assisted Tilt



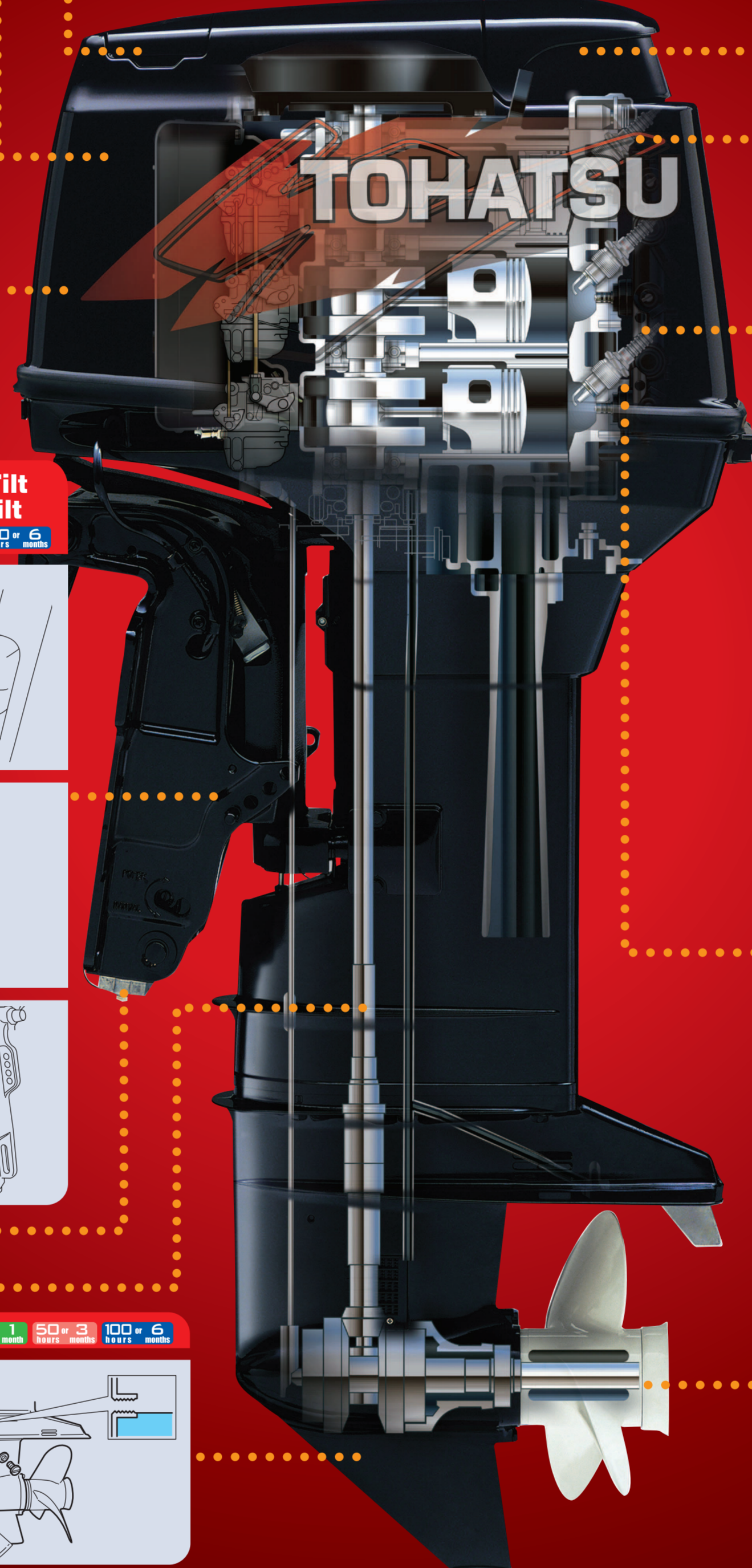
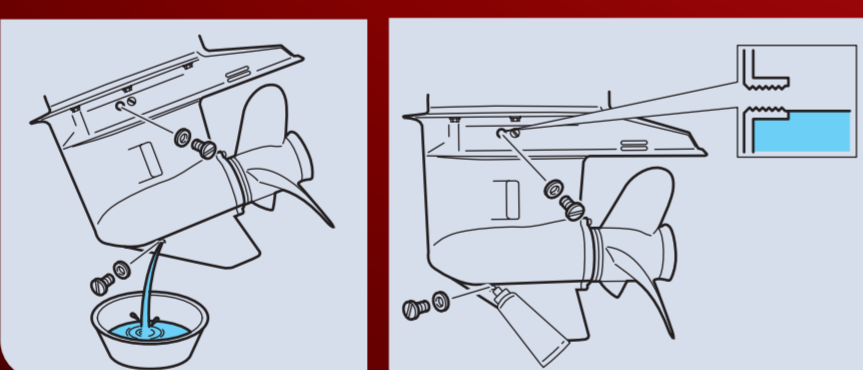
20 Anode



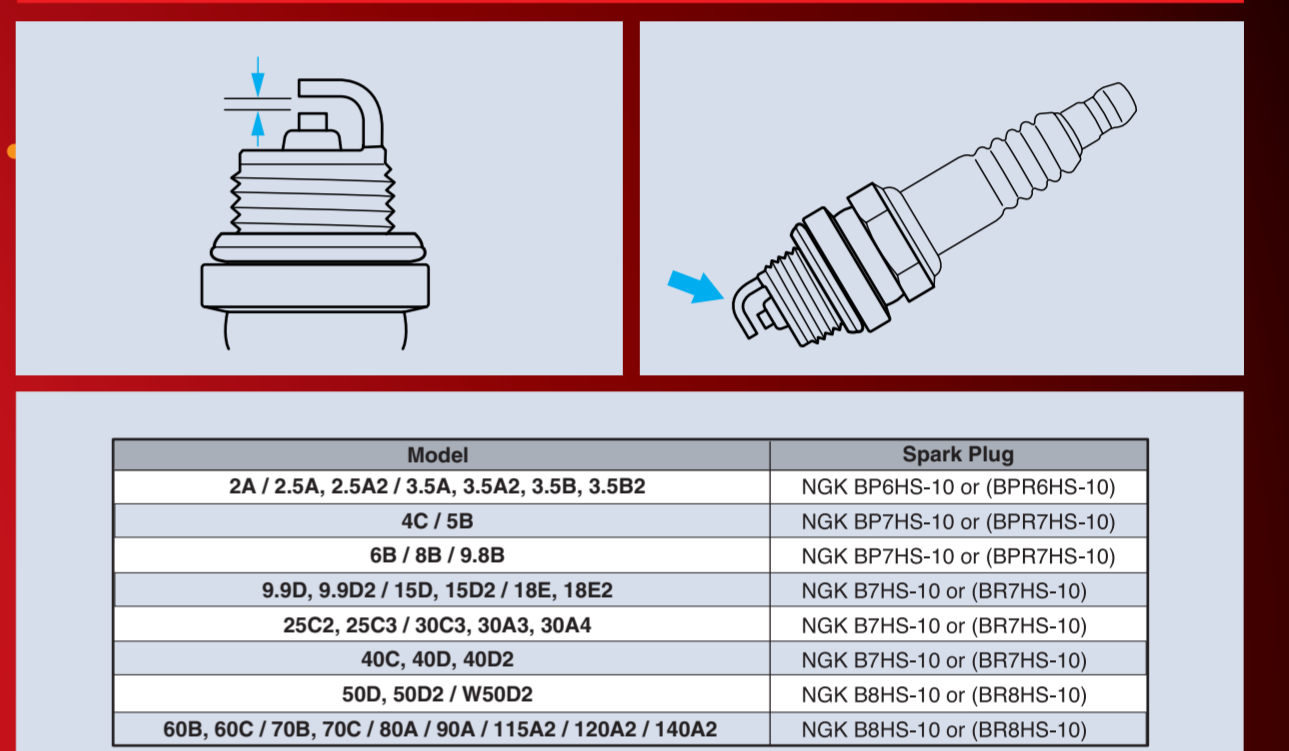
12 Water Pump



11 Gear Oil

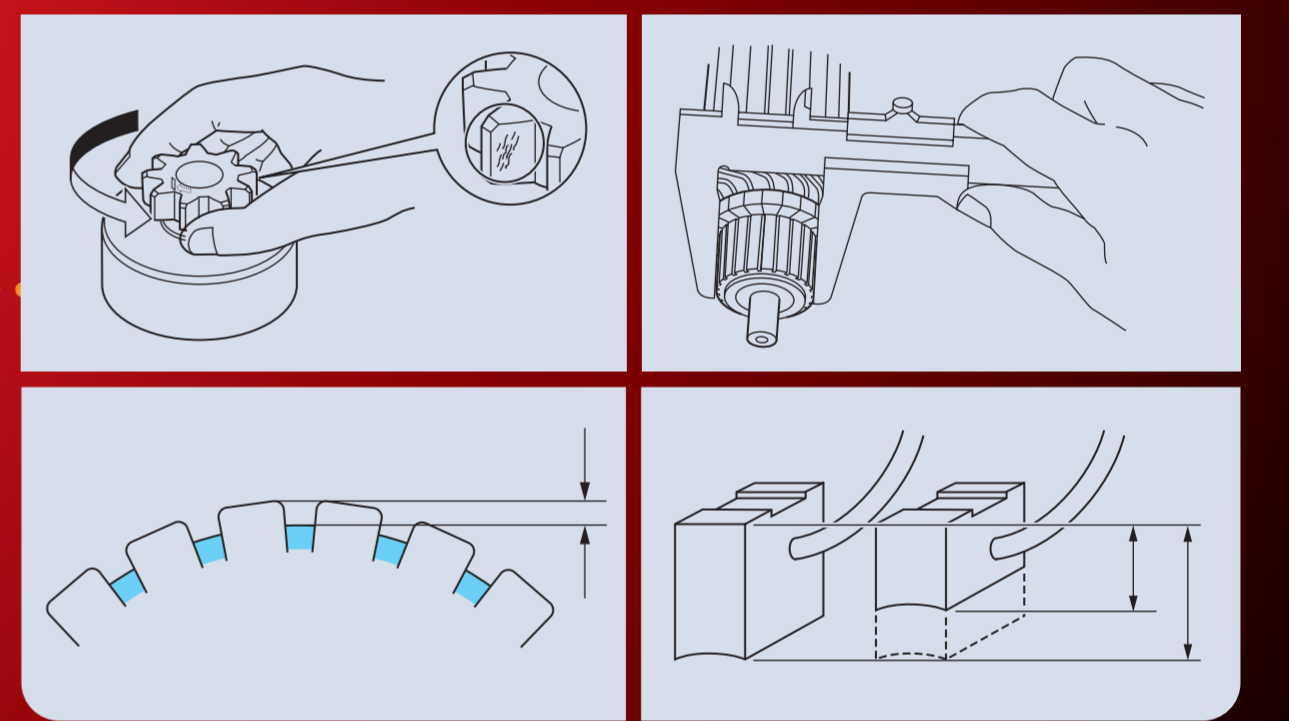


5 Spark Plug

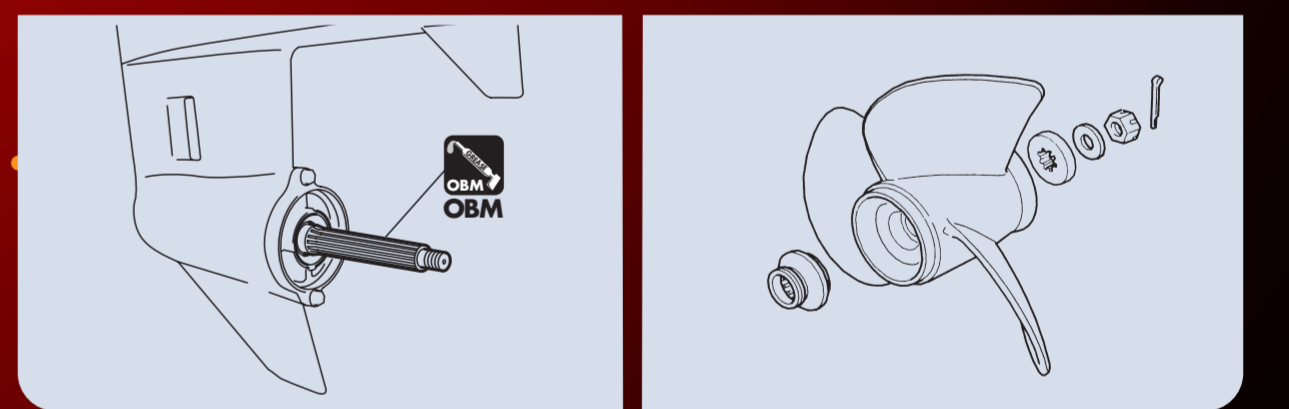


Model	Spark Plug
2A / 2.5A, 2.5A2 / 3.5A, 3.5A2, 3.5B, 3.5B2	NGK BPRHS-10 or (BPRHS-10)
4C / 5B	NGK BPRHS-10 or (BPRHS-10)
6B / 6B / 9.8B	NGK BPRHS-10 or (BPRHS-10)
9.9D, 9.9D2 / 15D, 15D2 / 18E, 18E2	NGK B7HS-10 or (B7HS-10)
25C2, 25C3 / 30C3, 30A3, 30A4	NGK B7HS-10 or (B7HS-10)
40C, 40D, 40D2	NGK B7HS-10 or (B7HS-10)
50D, 50D2 / W50D2	NGK B8HS-10 or (B8HS-10)
60B, 60C / 70B, 70C / 80A / 90A / 115A2 / 120A2 / 140A2	NGK B8HS-10 or (B8HS-10)

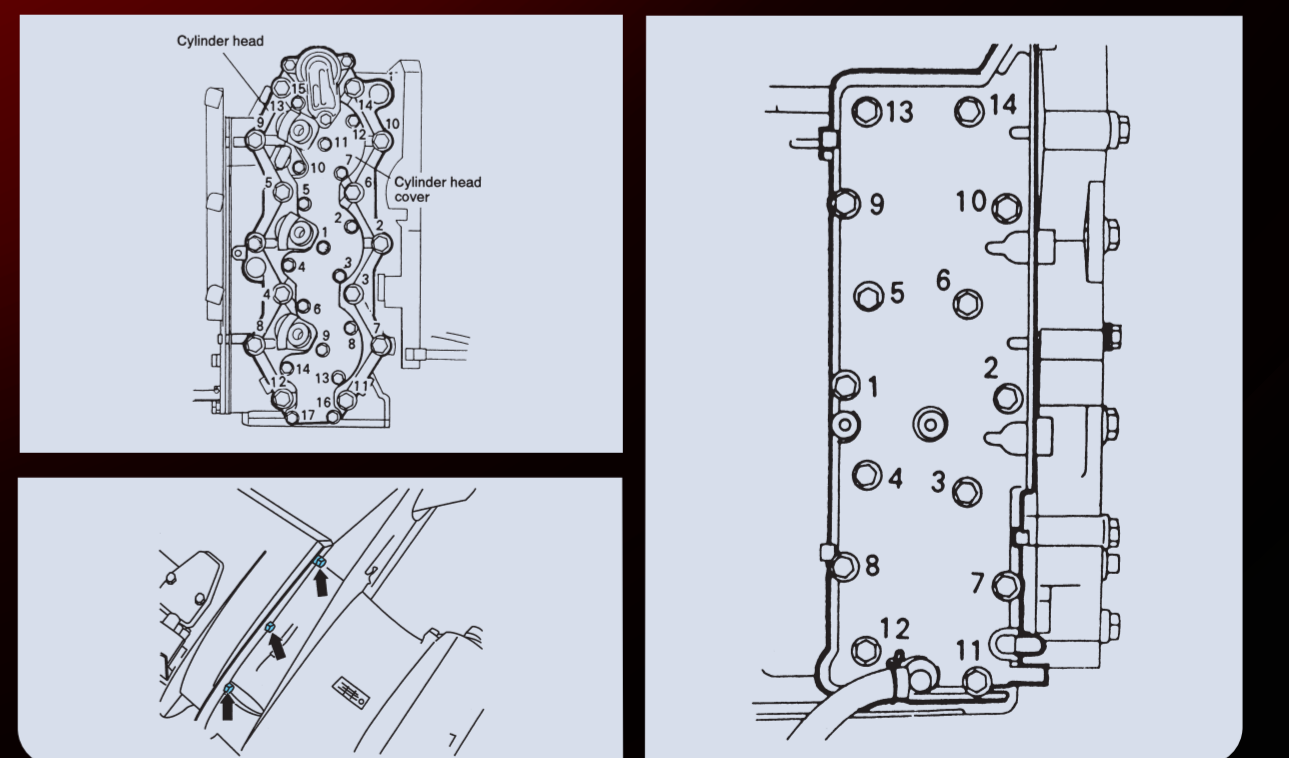
7 Starter Motor



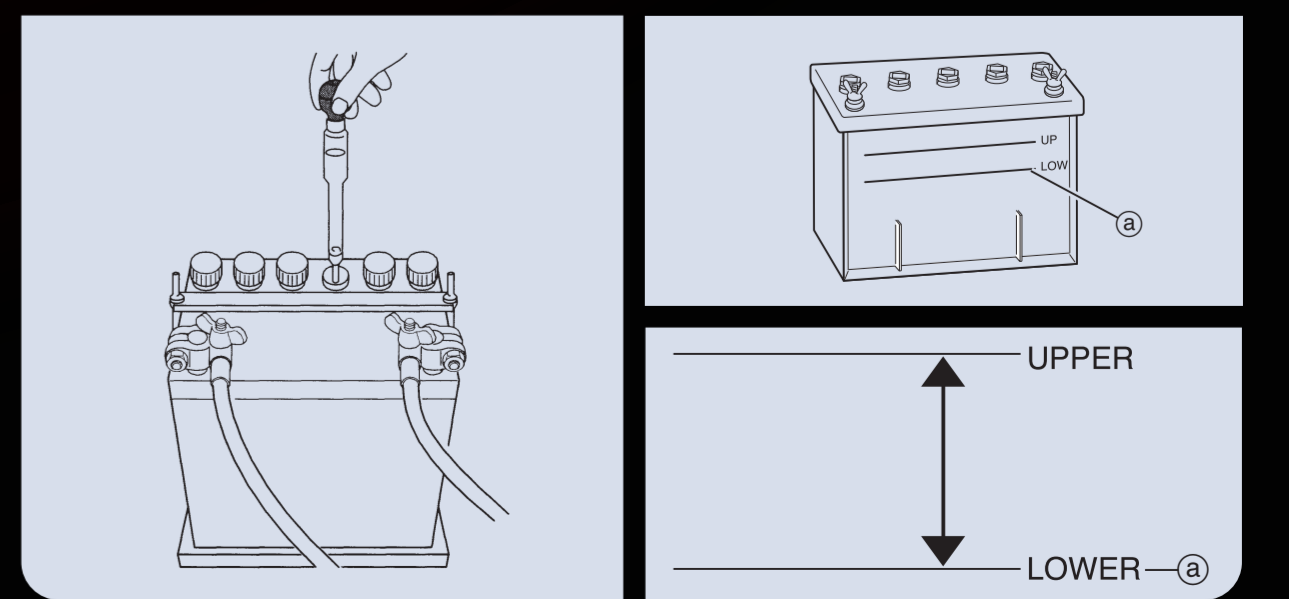
10 Propeller



13 Bolts & Nuts



8 Battery



Periodic Inspection

It is important to inspect and maintain your outboard motor regularly. At each interval on the chart below, be sure to perform the indicated servicing. Maintenance intervals should be determined according to the number of hours or number of months, whichever comes first. For periodic inspection and maintenance, consult your servicing dealer.

Item	Inspection Intervals			Inspection Procedure	Remarks
	20 hours or 1 month	50 hours or 3 months	Every 100 hours or 6 months		
Fuel System	1 Carburetor	○	○	Strip, clean and adjust. Adjust idling.	
	2 Fuel Filter	○	○	Check and clean.	
	3 Piping	○	○	Check and clean.	
	4 Fuel Tank	○	○	Clean	
Ignition	5 Spark Plug	○	○	Check gaps. Remove carbon deposits.	
	6 Ignition Timing	○	○	Adjust timing	
Starting System	7 Starter Motor	○	○	Check for salt deposits and the battery cable	
	8 Battery	○	○	Installation, fluid quantity, gravity	
	9 Starter Rope	○	○	Check for wear or damage	
Lower Unit	10 Propeller	○	○	Bent of blades damage, wear	
	11 Gear Oil	○	○	Change of oil or replenishment and water leak	
	12 Water Pump	○	○	Check for wear or damage	Replace impeller every 12 months
13 Bolts and Nuts	○	○	Retighten		
14 Sliding and Rotating Parts, Grease Nipples	○	○	Apply and pump in grease.		
15 Power Trim & Tilt Gas Assisted Tilt	○	○	Check power unit oil level and refill. Check function of manual release valve.		
Engine Oil System	16 Oil Tank	○	○	Check for leakage, damage, position of clips, and filter conditions.	Repair or consult your dealer
	17 Oil Pipe	○	○		
	18 Oil Filter	○	○		
19 Outer Equipment	○	○	Check corrosion		
20 Anode	○	○	Check corrosion and deformation	Replace	

*For the details of maintenance items, refer to service manual of individual models.

Delivering Reliability

TOHATSU
Outboards

No.004-21302-0